

KM 2032

Gas hob

with 5 burners for extremely versatile cooking convenience.



- Simple controls -single-handed operation via rotary dial control
- Professional design – 750 mm wide stainless steel trough
- Particularly versatile – 5 burners incl. 1 mono wok
- Extremely safe – GasStop function
- Easy cleaning – dishwasher-safe ComfortClean pot rests

EAN: 4002514414027 / Material number: 07113320 / Old Material Number: 26203250GB

Heating type	
Heating type	Gas
Construction type	
Independent of cooker	•
Design	
Cast iron pot rests (matt black enamelled)	•
Stainless steel trough	•
Cooking zone details	
Number of cooking zones	5
Gas burner power rating	
Small burner in kW	1.00
Medium burner in kW	1.75
Large burner in kW	2.60
Mono wok burner in kW	3.80
1st cooking zone/cooking area	
Position	front left
Type	High-speed burner
2nd cooking zone/cooking area	
Position	rear left
Type	Economy burner
3rd cooking zone/cooking area	
Position	Centred
Type	Single wok burner
4th cooking zone/cooking area	
Position	rear right
Type	Standard burner
5th cooking zone/cooking area	
Position	front right
Type	Standard burner
User convenience	
Operation via knobs	•
Electronic ignition with single-hand operation	•
Cleaning and care	
Dishwasher-proof pot rests	•
PerfectClean burner	•
Safety	
GasStop	•
Technical data	
Dimensions (H x W x D) in mm	90 x 750 x 520
Dimensions in mm (width)	750
Dimensions in mm (height)	90
Dimensions in mm (depth)	520
Cutout dimensions in mm (width) with surface-mounted installation	560
Cutout dimensions in mm (depth) with surface-mounted installation	480
Weight in kg	16
Length of supply lead in m	1.4
Position of gas connection	Hinten links
Voltage in V	220-240

KM 2032
Gas hob
with 5 burners for extremely versatile cooking convenience.



EAN: 4002514414027 / Material number: 07113320 / Old Material Number: 26203250GB

Frequency in Hz

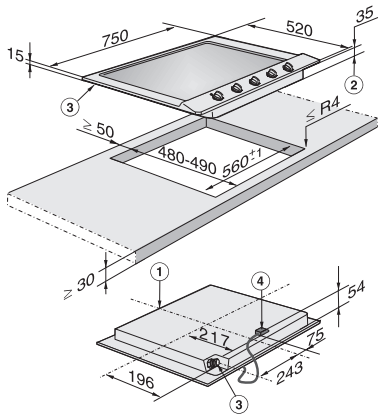
50-60

Accessories included

Mains cable

Yes

KM 2032
Gas hob
with 5 burners for extremely versatile cooking convenience.



KM2032G (installation drawing)

1. Front, 2. Building-in depth, 3. Gas connection R 1/2 - ISO 7-1 (DIN 10226), 4. Mains connection box with mains connection cable, L = 2000 mm