

## M 7140 TC

Built-in microwave oven

in an attractive stainless steel design with controls on the top.



- Clear-text display with sensor controls – DirectSensor S
- Perfect defrosting and cooking – Automatic programmes
- Plenty of room – 46 l oven compartment volume and 40 cm turntable
- Very powerful microwave – 900 W
- Popcorn at the touch of a button – Popcorn button

EAN: 4002516103349 / Material number: 11093930 / Old Material Number: 24714040GB

<b>Construction type</b>	
Appliance Colour	Stainless steel/Clean Steel
<b>Construction type and design</b>	
Built-in microwave oven	•
ContourLine	•
TopControl	•
<b>Convenience features</b>	
Keeping warm	•
<b>Operating modes</b>	
Automatic programmes	•
Microwave solo operation	•
<b>User convenience</b>	
Display	DirectSensor S
SoftOpen	•
SoftClose	•
MultiLingua	•
Popcorn function	•
Time of day display	•
Minute minder	•
Programmable end of cooking duration	•
Programmable cooking duration	•
Quick microwave	•
Individual settings	•
<b>Efficiency and sustainability</b>	
Night dimming	•
<b>Cleaning and care</b>	
Stainless steel/CleanSteel finish	•
Stainless steel oven compartment	•
CleanGlass door	•
<b>Safety</b>	
System lock	•
Safety switch-off	•
Safety lock "Door" warning	•
<b>Technical data</b>	
Oven compartment volume in l	46
Door hinge	Bottom
Oven light	1 LED spot
Oven interior height in cm	23.2
Turntable diameter in cm	40.6
Electronically controlled microwave power	•
Microwave power levels in W	
Maximum microwave power in W	900
Niche width min. in mm	562
Niche width max. in mm	568
Niche height min. in mm	450
Niche height max. in mm	452
Niche depth in mm	550
Appliance dimensions (W x H x D) in mm	595 x 456 x 560
Appliance width in mm	595
Appliance height in mm	456

## M 7140 TC

Built-in microwave oven

in an attractive stainless steel design with controls on the top.



EAN: 4002516103349 / Material number: 11093930 / Old Material Number: 24714040GB

Appliance depth in mm	560
Niche-independent venting	•
Weight in kg	28.3
Total rated load in kW	1.6
Voltage in V	220-240
Frequency in Hz	50
Fuse rating in A	13
Number of phases	1
Mains cable with plug	•
Length of supply lead in m	2.10
Replacing lamps	Service
<b>Accessories included</b>	
<b>Available display languages</b>	

Available display languages via MultiLingua

bahasa malaysia, dansk, deutsch, english, español, français, hrvatski, italiano, magyar, nederlands, norsk, polski, português, русский, română, slovenčina, slovenščina, srpski, suomi, svenska, türkçe, українська, čeština, ελληνικά,

## M 7140 TC

Built-in microwave oven

in an attractive stainless steel design with controls on the top.



M7140TC, M724x, installation drawings

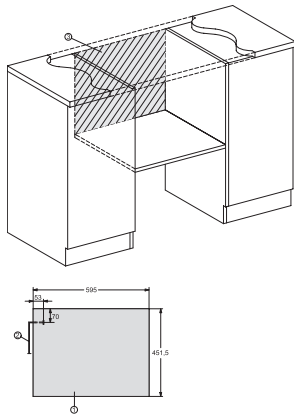


M7140TC, M724xTC, installation drawing



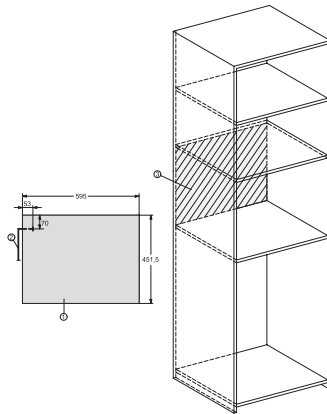
M7140TC, M724xTC, installation drawing

22 mm – glass, 23.3 mm – stainless steel



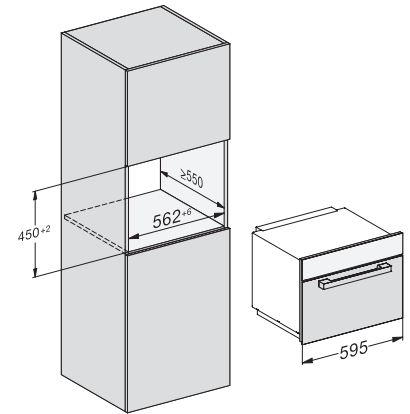
M7140TC, M724x, installation drawings

1) Front view, 2) Mains connection cable L=1,600 mm, 3) No connection in this area



M7140TC, M724x, installation drawings

1) Front view, 2) Mains connection cable L=1,600 mm, 3) No connection in this area



M7140TC, M724x, installation drawings