

KFN 4394 ED

Freestanding fridge-freezer

with DailyFresh ExtraCool, NoFrost and LED lighting for great convenience.



- 2 drawers, one with adjustable humidity – DailyFresh ExtraCool
- No icing up of food and no need to defrost thanks to NoFrost
- Uniform temperature distribution inside the appliance – DynaCool
- Handle-less design thanks to an integrated handle design
- More space and convenience thanks to XL interior cabinet



EAN: 4002516572220 / Material number: 12057060 / Old Material Number: 38439454GB

Appliance category	
Fridge-freezer	•
Construction type	
Freestanding appliance	•
Door hinge	right
Convertible door hinging	•
Design	
Casing colour	White
Front colour	White
Refrigeration section lighting	LED
User convenience	
Freshness system	DailyFresh
DynaCool	•
NoFrost	•
XL interior	•
VarioRoom	•
Concealed door opener	SideOpen
Control system	
Operating concept	EasyControl
Precise adjustment	Fridge and freezer temperature
Independent temperature regulation of fridge and freezer zones	Yes
Automatic SuperCool	•
SuperFreeze	•
No. of temperature zones	2
Eco mode	•
Fridge/Fridge section	
No. of shelves	5
Chrome-plated metal bottle rack	•
No. of crisper drawers	2
Number of inner door racks for tinned food	3
Door rack for bottles	1
Door shelves	4
Freezer/Freezer section	
Number of freezer drawers	3
Efficiency and sustainability	
Energy efficiency class (A–G)	E
Annual energy consumption in kWh	238.00
Energy consumption in 24 h in kWh	0.65
Safety	
Acoustic door alarm	•
Acoustic temperature alarm	•
Optical door alarm	•
Optical temperature alarm	•
Technical data	
Appliance width in mm	600
Appliance height in mm	2030
Appliance depth in mm	660
Weight in kg	73.4

KFN 4394 ED

Freestanding fridge-freezer

with DailyFresh ExtraCool, NoFrost and LED lighting for great convenience.



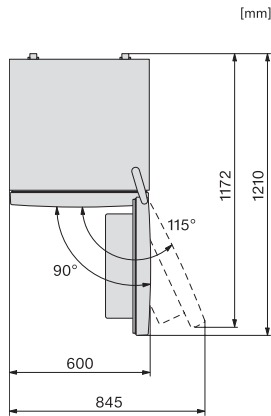
EAN: 4002516572220 / Material number: 12057060 / Old Material Number: 38439454GB

Climate class	SN-T
Refrigerator compartment in l	279
4* freezer compartment in l	89
Total usable capacity in l	368
Storage time in case of fault in h	12
Freezer capacity in kg/24 h	10.00
Acoustic airborne noise emission class (A-D)	C
Sound emissions in dB(A) re 1 pW	39
Current consumption (mA)	1500
Voltage in V	220-240
Fuse rating in A	13
Number of phases	1
Frequency in Hz	50
Length of supply lead in m	2.1
Replacing lamps	Service
Accessories included	
Egg tray	•
Ice cube tray	•

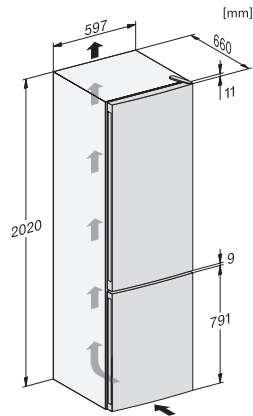
KFN 4394 ED

Freestanding fridge-freezer

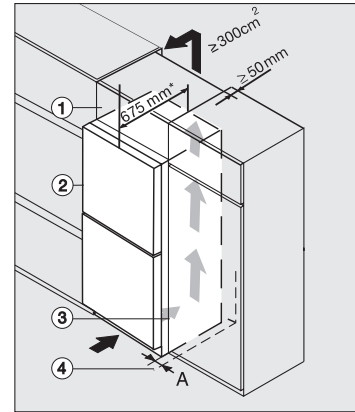
with DailyFresh ExtraCool, NoFrost and LED lighting for great convenience.



KFN4374ED, KDN4074E Active, KDN4071E Active, KDN4174E Active, KFN4391ED, KFN4394ED, top view (installation drawings)



KFN4391ED, KFN4394ED, installation sketch (installation drawings)



Integrating freestanding refrigeration appliance in a run of kitchen units, edt/cs, ws, bst, el (*footnote)

1. Top box, 2. Refrigeration appliance, door depth = 75 mm, 3. Housing unit, 4. Wall, A = 25 mm (with recessed grip)/60 mm (with handle), * The appliance depth is increased by approx. 15 mm for refrigeration appliances with wall spacers fitted.