

TED265WP 8kg
T1 heat-pump dryer:
with A++ and Miele@home for intelligent laundry care.



- Miele@home – clever networking opens up new possibilities*
- Savings for the life of your tumble dryer – EcoDry technology
- Fragrant laundry just the way you like it – FragranceDos
- Precision drying of all fabrics – PerfectDry
- Easy fingertip operation – DirectSensor

* Additional digital offer from Miele & Cie. KG. All smart applications are made possible with the Miele@home system. The range of functions can vary depending on the model and the country.

A++

EAN: 4002516488514 / Material number: 11871740 / Old Material Number: 12ED2652GB

Construction type	
Suitable for stacking	•
Side-by-side	•
Slot-in	•
Can be built-under	•
Door hinge	left
Model	
Product brand	T1 Chrome Edition
Heat pump dryer	•
Design	
Appliance colour	Lotus white
Control panel colour	Lotus white
Door design	Graphite grey PearlFinish
Rotary selector colour	Lotus White
Control panel version	Straight
Control type	Rotary control
Display	DirectSensor white, 7 segment
Drying results	
PerfectDry precision drying	•
FragranceDos fragrance system	•
Intelligent drum reversal	•
Gentle laundry care	
Honeycomb drum	•
Load in kg	8.0
User convenience	
Networking with Miele@home	•
Wash2Dry	•
Delay start up to 24 hours	•
Time left display	•
Programme sequence indicator	No
Drum lighting	LED
Condensate container	•
Integrated condensed water drainage	•
AddLoad	•
Efficiency and sustainability	
Energy efficiency class (A+++ – D)	A++
Annual energy consumption in kWh	192
Duration in minutes in the standard programme	165
Noise in the Cottons programme with full load in db(A) re 1 pW	66
Condensation efficiency class	A
Energy consumption in kWh in the Cottons Normal dry standard programme with a full load	1.55
EcoDry technology	•
Maintenance-free heat exchanger	•
ProfEco motor	•
Drying programmes	
Cottons (coloureds)	•
Minimum iron	•
Delicates	•

TED265WP 8kg
T1 heat-pump dryer:
with A++ and Miele@home for intelligent laundry care.



EAN: 4002516488514 / Material number: 11871740 / Old Material Number: 12ED2652GB

Shirts	•
Woolens handcare	•
Express	•
Proofing	•
Bed linen	•
Warm air/DryFresh	•
Drying extras	
Anti-crease	•
Gentle tumble	•
Buzzer	•
Quality	
Soft ribs	•
Safety	
PIN-Code	•
Empty out container indicator	•
Clean filter indication	•
Optical interface	•
Technical data	
Dimensions in mm (width)	596
Dimensions in mm (height)	850
Dimensions in mm (depth)	636
Appliance depth in mm with opened door	1054
Weight in kg	53
Total rated load in kW	1.10
Voltage in V	220-240
Fuse rating in A	13
Frequency in Hz	50
Length of supply lead in m	2.0
Hermetically sealed	•
Type of coolant	R290
Refrigerant quantity in kg	0.11
Refrigerant global warming potential in CO ₂ e	3
Appliance global warming potential in CO ₂ e	0.33
Replacing lamps	Service
Accessories included	
Fragrance flacon	•

TED265WP 8kg

T1 heat-pump dryer:

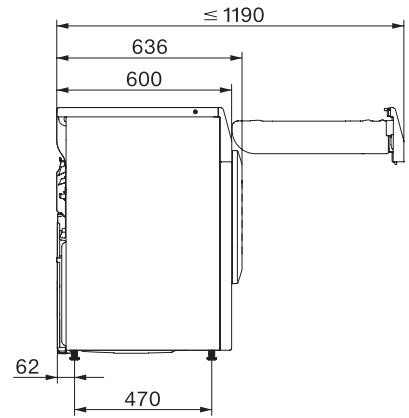
with A++ and Miele@home for intelligent laundry care.



T1 installation drawing, slanted facia or straight facia, measures in mm



T1 drawing, slanted facia or straight facia, measures in mm



T1 drawing, slanted facia or straight facia, with porthole, measures in mm



T1 drawing, slanted facia or straight facia, measures in mm