

TEL785WP EcoSpeed&Steam&9kg
T1 heat-pump dryer:
with SteamFinish, DryCare 40 and SilenceDrum for gentle drying.



- Less ironing, more freshness – SteamFinish
- Pleasantly quiet drying – SilenceDrum
- DryCare 40 – dries almost anything that can be washed at 40 °C
- Faster drying combined with maximum energy efficiency – EcoSpeed
- Miele@home – clever networking opens up new possibilities*

* Additional digital offer from Miele & Cie. KG. All smart applications are made possible with the Miele@home system. The range of functions can vary depending on the model and the country.

A+++

EAN: 4002516476269 / Material number: 11871900 / Old Material Number: 12EL7852GB

| | |
|---|-----------------------------|
| Construction type | |
| Suitable for stacking | • |
| Side-by-side | • |
| Slot-in | • |
| Can be built-under | • |
| Door hinge | left |
| Model | |
| Product brand | T1 Chrome Edition |
| Heat pump dryer | • |
| Design | |
| Appliance colour | Lotus white |
| Control panel colour | Lotus white |
| Rotary selector colour | Lotus White / Chrome ring |
| Control panel version | Straight |
| Control type | Rotary selector |
| Display | ComfortSensor white, 1 line |
| Drying results | |
| PerfectDry precision drying | • |
| FragranceDos ² fragrance system | • |
| Intelligent drum reversal | • |
| Proven hygiene | • |
| Proven virus hygiene | • |
| Gentle laundry care | |
| SilenceDrum | • |
| Load in kg | 9.0 |
| User convenience | |
| Networking with Miele@home | • |
| Wash2Dry | • |
| Delay start up to 24 hours | • |
| Time left display | • |
| Programme sequence indicator | No |
| Drum lighting | LED |
| MultiLingua | • |
| Acoustics package for the lowest sound emissions | • |
| Condensate container | • |
| Integrated condensed water drainage | • |
| AddLoad | • |
| Efficiency and sustainability | |
| Energy efficiency class (A+++ – D) | A+++ |
| Annual energy consumption in kWh | 185 |
| Duration in minutes in the standard programme | 184 |
| Noise in the Cottons programme with full load in db(A) re 1 pW | 64 |
| Condensation efficiency class | A |
| Energy consumption in kWh in the Cottons Normal dry standard programme with a full load | 1.55 |
| EcoFeedback | • |
| EcoDry technology | • |
| Maintenance-free heat exchanger | • |
| ProfiEco motor | • |

TEL785WP EcoSpeed&Steam&9kg
 T1 heat-pump dryer:
 with SteamFinish, DryCare 40 and SilenceDrum for gentle drying.



EAN: 4002516476269 / Material number: 11871900 / Old Material Number: 12EL7852GB

| | |
|---|------------------|
| EcoSpeed | • |
| Drying programmes | |
| Automatic plus | • |
| Cottons (coloureds) | • |
| Minimum iron | • |
| Delicates | • |
| Shirts | • |
| Silks handcare | • |
| Woollens handcare | • |
| Express | • |
| Denim | • |
| Outerwear | • |
| Proofing | • |
| Sportswear | • |
| Standard pillows | • |
| Cool air | • |
| Warm air | • |
| Basket programme | • |
| Pre-Ironing | • |
| Bed linen | • |
| Steam care | • |
| Extras | |
| Anti-crease | • |
| Buzzer | • |
| DryCare 40 | • |
| DryFresh | • |
| PowerFresh | • |
| Quality | |
| Soft ribs | • |
| Safety | |
| PIN-Code | • |
| Empty out container indicator | • |
| Clean filter indication | • |
| Optical interface | • |
| Technical data | |
| Dimensions in mm (width) | 596 |
| Dimensions in mm (height) | 850 |
| Dimensions in mm (depth) | 636 |
| Appliance depth in mm with opened door | 1054 |
| Weight in kg | 56 |
| Total rated load in kW | 1.10 |
| Voltage in V | 220-240 |
| Fuse rating in A | 13 |
| Frequency in Hz | 50 |
| Length of supply lead in m | 2.0 |
| Hermetically sealed | • |
| Type of coolant | R290 |
| Refrigerant quantity in kg | 0.14 |
| Refrigerant global warming potential in CO ₂ e | 3 |
| Appliance global warming potential in CO ₂ e | 0.42 |
| Replacing lamps | Customer Service |

TEL785WP EcoSpeed&Steam&9kg
 T1 heat-pump dryer:
 with SteamFinish, DryCare 40 and SilenceDrum for gentle drying.



EAN: 4002516476269 / Material number: 11871900 / Old Material Number: 12EL7852GB

Accessories supplied

Fragrance flacon

•

Voucher for a second fragrance flacon

•

Available display languages

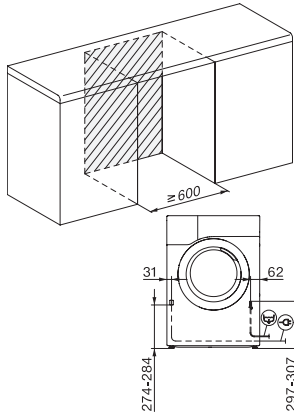
Available display languages via MultiLingua

bahasa malaysia, dansk,
 deutsch, english (AU),
 english (GB), english
 (US), español, français
 (CA), français (FR),
 hrvatski, italiano, magyar,
 nederlands, norsk, polski,
 portugûês, русский,
 română, slovenčina,
 slovenščina, srpski,
 suomi, svenska, türkçe,
 українська, čeština,
 ελληνικά, , , ,

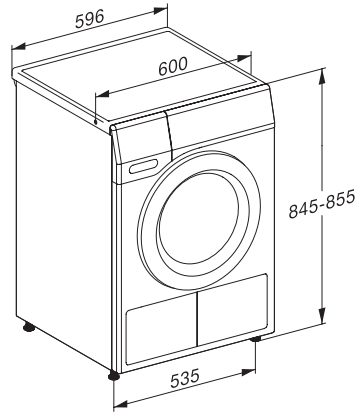
TEL785WP EcoSpeed&Steam&9kg

T1 heat-pump dryer:

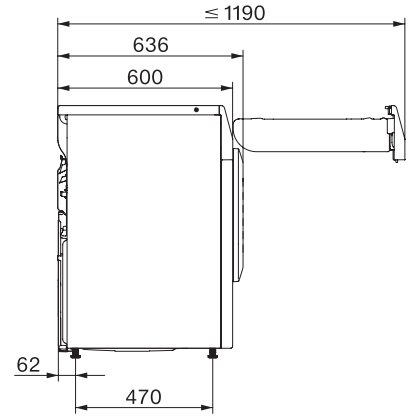
with SteamFinish, DryCare 40 and SilenceDrum for gentle drying.



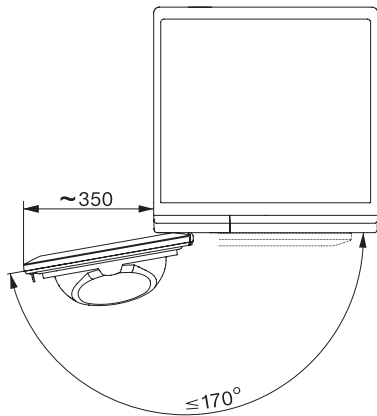
T1 installation drawing, slanted facia, straight facia, measures in mm



T1 drawing, slanted facia, straight facia, measures in mm



T1 drawing, slanted facia, straight facia, with porthole, measures in mm



T1 drawing, slanted facia, straight facia, measures in mm